

SPECIFICATIONS:

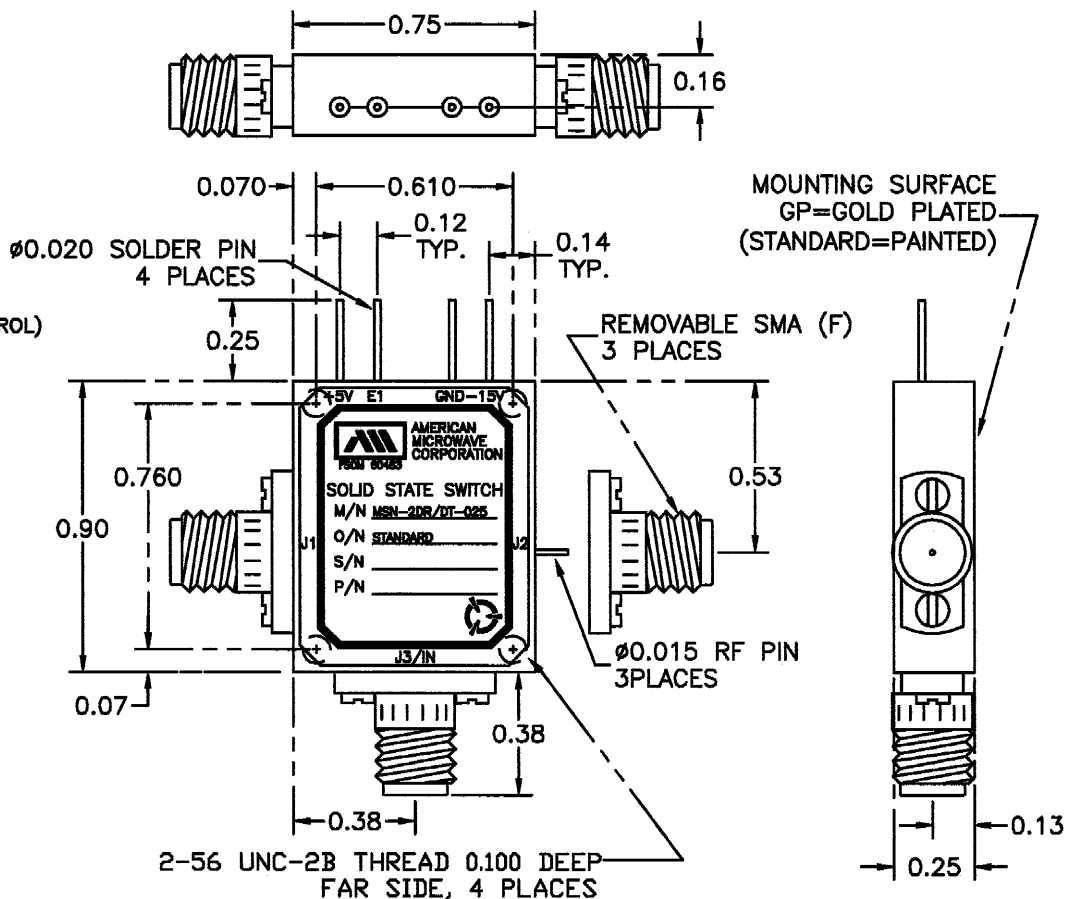
- FREQUENCY: 0.3 GHz TO 20 GHz
- INSERTION LOSS: REFLECTIVE: 3.0db
 ABSORPTIVE: 3.5db
- ISOLATION: 60dB MINIMUM
- VSWR: REFLECTIVE IN/OUT: 2.2:1
 ABSORPTIVE IN/OUT: 2.2:1
 ABSORPTIVE OUT/OFF: 2.2:1
- SPEED: RISE: 10ns TYPICAL, 15ns MAX.
 FALL: 10ns TYPICAL, 15ns MAX.
 DELAY ON: 75ns TYPICAL, 100ns MAX.
 DELAY OFF: 75ns TYPICAL, 100ns MAX.
- POWER SUPPLY: +5V @ 50 mA MAX.
 -15V @ 30mA MAX.(REFLECTIVE)
 100mA MAX.(ABSORPTIVE/NON-REFLECTIVE)
- RF POWER RATING: +27 dBm CW MAXIMUM
- CONTROL: TTL LOGIC "0"=ON J3-J1 "1"=ON J3-J2 (SINGLE CONTROL)
 TTL LOGIC "0"=ON "1"=OFF (INDEPENDANT CONTROL)

M/N = MANUFACTURER PART NUMBER
 O/N = OPTION NUMBER
 S/N = SERIAL NUMBER
 P/N = CUSTOMER PART NUMBER

REVISIONS				
ZONE	REV.	DESCRIPTION	DATE	APPROVED
A		ORIGINAL RELEASE	11/17/97	

OPTIONS:

- SINGLE CONTROL WITH SOLDER PIN STANDARD
- IND-SP INDEPENDANT CONTROL WITH SOLDER PIN
 - 10M18 10 MHz TO 18 GHz (INSERTION LOSS INCREASES BY 1.5db AT 10 MHz AND 0.5db AT 18 GHz)
 - 100M18 100 MHz TO 18 GHz (INSERTION LOSS INCREASES BY 1.5db AT 100 MHz AND 0.5db AT 18 GHz)
 - 118 1 GHz TO 18 GHz (NO CHANGE IN INSERTION LOSS)
 - 218 2 GHz TO 18 GHz (NO CHANGE IN INSERTION LOSS)
 - 412 4 GHz TO 12.4 GHz (NO CHANGE IN INSERTION LOSS)
 - 618 6 GHz TO 18 GHz (NO CHANGE IN INSERTION LOSS)
 - 1218 12 GHz TO 18 GHz (NO CHANGE IN INSERTION LOSS)
 - 100M20 100 MHz TO 20 GHz (INSERTION LOSS INCREASES BY 1.5db AT 100 MHz AND 1.0db AT 20 GHz)
 - 220 2 GHz TO 20 GHz (INSERTION LOSS INCREASES BY 1.0db AT 20 GHz)
 - 1020 10 GHz TO 20 GHz (INSERTION LOSS INCREASES BY 1.0db AT 20 GHz)
 - B01 -12V POWER SUPPLIES
 - B02 -5V POWER SUPPLIES
 - B03 REVERSE LOGIC "1"=ON "0"=OFF
 - B04 DRIVERLESS, CURRENT CONTROLLED
 - B06 HIGH POWER - SPECIFY CW POWER, PEAK POWER, PULSE WIDTH, DUTY CYCLE, RF FREQUENCY AND BANDWIDTH. (NOT AVAILABLE WITH OPTION B02)
 - B07 CUSTOM DESIGNED PRODUCT- SPECIFY INITIALS OF CUSTOMER
 - B08 LOW VIDEO TRANSIENTS - SPECIFY VIDEO BANDWIDTH
 - B09 LOW INSERTION LOSS VERSION
 - B10 HIGHER ISOLATION VERSION



NOTE:
 DR=WITH DRIVER, REFLECTIVE
 DT=WITH DRIVER, NON-REFLECTIVE/ABSORPTIVE

ENVIRONMENTAL RATINGS:

- TEMPERATURE: -55°C TO +85°C (OPERATING)
 -65°C TO +125°C (STORAGE)
- HUMIDITY: MIL-STD-202F, METHOD 103B COND. B
- SHOCK: MIL-STD-202F, METHOD 213B COND. B
- VIBRATION: MIL-STD-202F, METHOD 204D COND. B
- ALTITUDE: MIL-STD-202F, METHOD 105C COND. B
- TEMPERATURE CYCLE: MIL-STD-202F, METHOD 107D COND. A

ALL DIMENSIONS ARE IN INCHES
 TOLERANCES:
 X.XX ±0.020
 X.XXX ±0.010

NOTE: THE ABOVE SPECIFICATIONS ARE SUBJECT TO CHANGE OR REVISION

PART NO.		AMERICAN MICROWAVE CORPORATION FREDERICK, MARYLAND		
APPROVALS	DATE	TITLE PRODUCT FEATURE MSN-2DR/DT-025-COM SOL REFLECTIVE OR NON-REFLECTIVE/ABSORPTIVE SOLID STATE SWITCH		
DRAWN WSP/SJS	11/17/97	SIZE A	FSCM NO. 60483	DWG NO. 100-4221-3
CHECKED		ISSUED		REV. A
SCALE N/S		SHEET 1 of 2		